

Era Collection



Sitmatrix

Only ergonomic

ERA COLLECTION

# NATURAL BEAUTY.

The chairs incorporate a synchronized tilting mechanism in the seat and backrest that guarantee optimal comfort.





The Era Comes In A Multiplicity Of Shapes And Variants

Sitmatrix Office Chair

# Era Collection Represents A New Milestone



"

## Era Collection Is A Step Into New Century Of Ergonomic Chair "

Era is our most comfortable deluxe task chair to date. Generously padded and wider, yet visually sleek, this is a plush and prominent piece of office furniture that isn't made just to support you; it's made to move you too.

## "Agile, Flexible, Scable A Chair Like A Start-up"

### Aesthetic and ergonomic office chair

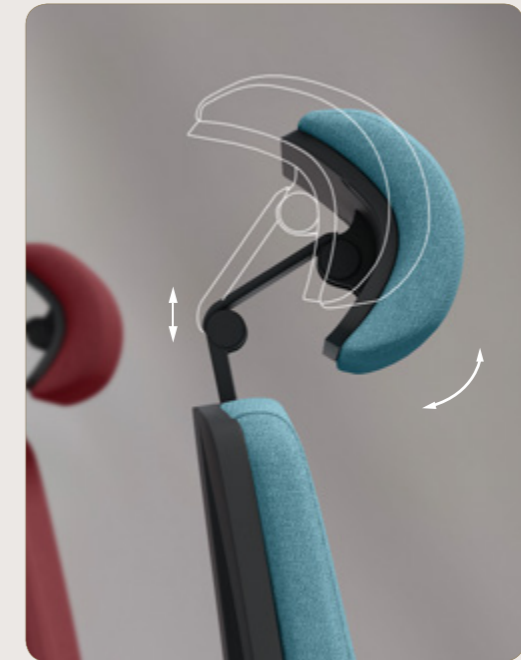
Era is a homophone with "new century" in Chinese, which represents the traditional office chair stepping into the new century of ergonomic chair. It is an ergonomic chair which pursues the structure of thin and stable quality, the delicate handwork and the use of world-class material and

components: the fabric is from Denmark Gabriel, mechanism is from Italy Donati, gaslift is from South Korea KGS. All other designs are 100% developed and produced by ourselves.



## Air Lumbar Design Good Support For The Waist.

Add or subtract the air to make a suitable lumbar support with pump on right side. It is easy to adjust the air lumbar, good support for the waist.



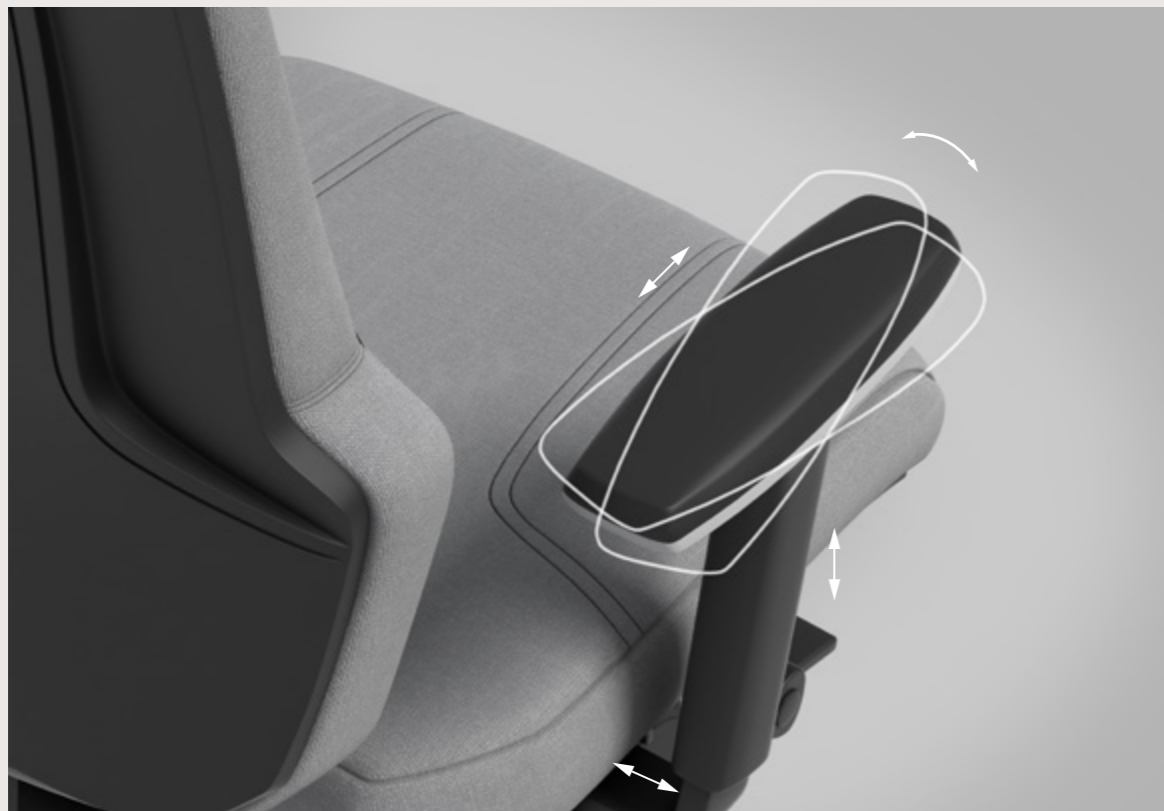
## 3D Headrest Could be add-on easily

As for the different body size  
fat people will have more proud flesh on the back  
so the neck will be relatively forward and the depth of  
the headrest should be forwarded appropriately  
On the contrary, thin people do not need too deep  
and the waist is relatively straight



# Reasons for choosing Era

This is an office chair for everyone. A fully functional office chair, from headst to the mechanism can be adjusted, personalized adjustment.



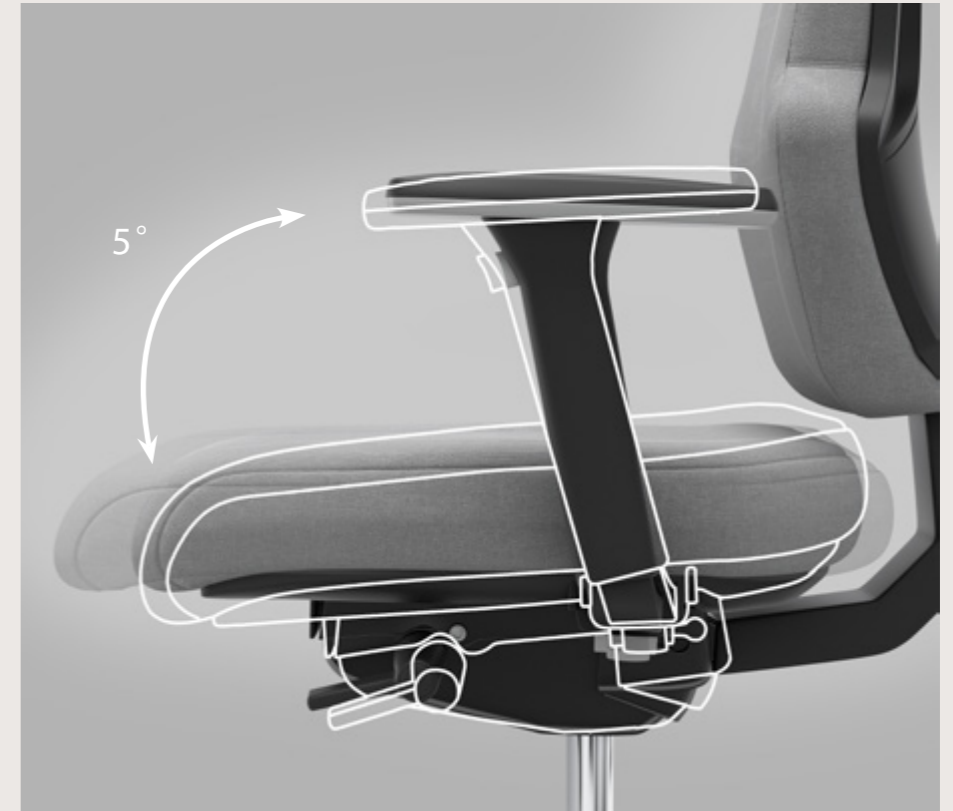
## 01. 4D Armrest Design

Four dimensions. Height adjustable, TPU pad forward and backward movable, twistable, width adjustable.



## 02. Mechansim

The Mechansim From Italy Donati



## 03. Seat Design

Seat depth adjustment and seat front tilt function

# Era Meeting Collection

Era meeting collection is an elegant chair for social and collaborative spaces, presented in a lasting contemporary design. Lightweight and comfortable, what truly makes Era meeting chairs stand out from the crowd is its unrivalled.

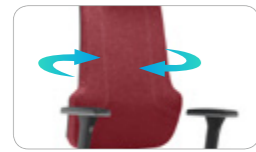




# Features and Benefits



**Back tilt**  
Four positions lock



**Stretching**  
Elastic back allows to stretch



**Back ratchet**  
Height adjustment



**Visual Instruction**  
Every single part of function design to be grey color



**4D armrest**  
Four dimensions



**Arm width**  
Width adjustment



**Seat front tilt**  
Enable forward pelvic rotation standing hip abduction to help long-time work without numbness



**Quick assembly**  
Total five screws

## OPTIONS:



- 1 Could be add-on afterward easily
- 2 Height, depth, adjustable and rotatable



- 1 R-360mm, aluminum base with glossy black color
- 2 Foot-grip design & Ergonomic design

"Era stable structure and superior durability engineered by an ergonomic design enhances the product reliability and the various functions are also allowed for anybody who wants to be seated in comfort."

## All Models

Dimensions (mm)



## Base Finished



K010  
350mm nylon



K309-PL  
350mm Polished



K310-GB  
360mm Glossy Black



Back covered by plastic shell



Back covered by fabric

## Back Cover Upholstery Options

## PU options



P3CG4



P3WG2



P3G1



P3G3



P3BL4



P3B5

## Fabric options



F14F64103



F14F68070



F14F64102



F14F66082



F14F63044



F14F60082



F14F68069



F14F60999

# Sitmatrix

Only ergonomic

## **Suniver Furniture Industry Co.,Ltd**

Add: Shijiang Industrial Zone,Shatou,Nanhai District,  
Foshan,Guangdong,P.R.China

Tel: 86-757-81290782 81290783

Fax: 86-757-81290781

E-mail: info@sitmatrix.cc

**[www.sitmatrix.cc](http://www.sitmatrix.cc)**



**EUIPO**  
EUROPEAN UNION  
INTELLECTUAL PROPERTY OFFICE

